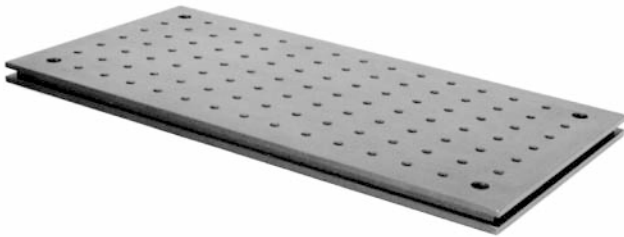
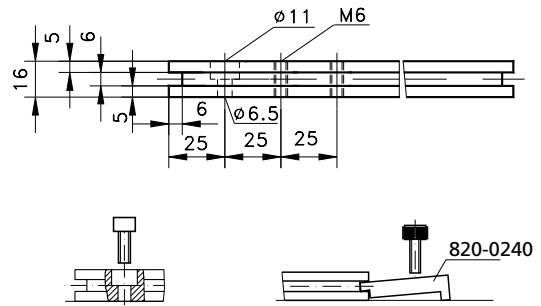
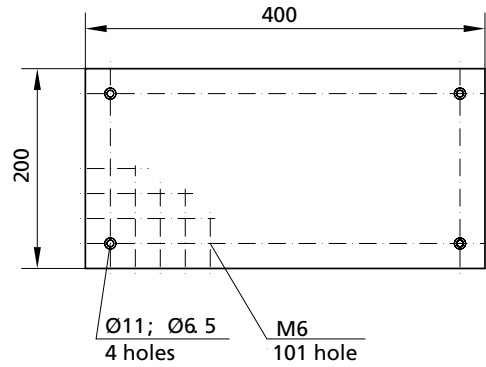


BREADBOARD 1B82

length 400 mm
width 200 mm
thickness 16 mm
weight 10 kg
M6 tapped holes pattern on 25 mm centres
flatness ± 0.02 mm



Breadboard 1B82 is an alternative to the honeycomb table tops. It is particularly useful in small optical setups. 1B82 is a steel plate, of one size. Finish is black chemically oxidized.



ways to fasten a Breadboard



1B82 mounted on Silent Rods

See also **Aluminium Breadboards 1B-AL** below.

The plate is black chemically oxidized. Flatness of the plate does not exceed ± 0.02 mm.

The breadboard has grooves on all 4 sides, so you can quickly mount it using Table Clamps 820-0240. On the corners there are 4 holes $\text{Ø}6.5/\text{Ø}11$ used to mount directly to tables or to fix at a certain height on Silent Rods 2SR32.

Weight	10 kg
--------	-------

ALUMINIUM BREADBOARDS 1B-AL

Aluminium breadboards 1B-AL come in 3 sizes.

Features available on request:

- grooves on the sides (like in 1B82 above),
- black anodized finish.

Model	b, mm	L, mm	Thickness, mm	Weight kg
1B-AL-04-08-016	400	800	16	14
1B-AL-06-08-016	600	800	16	21
1B-AL-08-08-016	800	800	16	28

Ask for aluminium breadboards of custom sizes and design

